

# THE TEMPLE NEWS

# M



# MAY 2018

## Message From Pastor Allan

I've been reminded of the old adage, "You only have one opportunity to make a first impression," several times over the past few weeks. There's a first sermon, a first meeting, a first handshake, etc. Now there's my first newsletter entry.

I consider this a great opportunity to share more info about me (and my family), to promote my vision for the congregation, or to simply disseminate important information. Other than my time in the pulpit, I'm not sure there is greater medium to connect with the congregation. So for this article, I want to outline my goals for the coming months.

1- I want to engage with each member of the congregation in meaningful dialogue and interaction. I have gotten off to a head start, but I look forward to having many conversations over the next several weeks and months. Whether it's meeting for lunch, me dropping by your home, or you stopping by my office, please let me know when we can connect.

As a pastor, one of my ministry priorities is accessibility. I want each person in the congregation to feel comfortable reaching out when there is a pastoral need. There are times when I may not be readily available, but I want to reassure each of you that I am here as a servant leader.

2- I hope to discover what God is already doing in the local community so that I can begin contemplating The Baptist Temple's role within God's mission here in Marion County (and beyond). Feel free to suggest any initiatives in Marion County that I need to be aware of. (And if you have any leads on some East Fairmont gear, please let me know. I have a disproportionate amount of black and red clothing from my time coaching at Braxton County Middle School.)

3- Finally, over the next few months I hope to normalize life as much as possible. Of course, I'm not sure there is such as a "normal" schedule for pastors, but I hope to balance out the rhythms of life once our transition is complete. Please continue to be in prayer as our children get acclimated to their new schools and as Rose completes her transition to a new job.

Thanks again to everyone for such a gracious welcome. We have been overwhelmed by the outpouring of support. We couldn't have hoped for a more welcoming response. Words cannot express how thankful we are and how excited we are to be ministering in Marion County.



# The birth of Mother's Day



Anna M. Jarvis (1864-1948) loved her mother dearly. It was Miss Jarvis who first suggested a national day to honor all mothers. At a memorial service for her mother on May 10, 1908, Anna gave a carnation, her mother's favorite flower, to each person in attendance. Within a few years, the idea to honor mothers gained popularity, and Mother's Day was soon observed annually in many large cities of the United States.

On May 9, 1914, by an act of congress, President Woodrow Wilson proclaimed the second Sunday of May as Mother's Day. He established the day as a time for "public expression of our love and reverence for the mothers of our country." By then, it had become customary to wear white carnations in honor of departed mothers and red carnations to honor the living. The custom continues to this day.



## In-carnation



The official flower of Mother's Day is the carnation, the favorite flower of the mom of the holiday's founder, Anna Jarvis. Over time, the custom arose of wearing a white carnation on Mother's Day if your mother has died and a red one if she's living.

In fact, many carnation colors have special meanings. Pink carries the richest Christian symbolism. According to legend, carnations first appeared on earth as Mary wept while watching Jesus carry his cross. Where her tears fell, there appeared pink carnations, symbolizing a mother's undying love.

According to one theory, the English word for carnation comes from *carnis*, Latin for flesh. From the same root comes *incarnation*, God's coming to earth in flesh. Thus, carnations remind us of our loving mothers as well as our loving Savior.



- 2 Beartrice Clevenger,  
Justin Roark
- 6 Timothy Wine
- 8 Butch Kisner  
AJ Copenhaver
- 10 Mike Bowen
- 12 Michael Hood  
Mildred Shaffer
- 14 Richard Conrad  
Mary Farley
- 15 Linda Clevenger
- 16 Karen Haught
- 17 Shyra Freeman
- 23 Jeremy Rowan
- 24 Shirley Ashcraft  
Rose Martin
- 26 Miriam Sions  
Judaea Stuck
- 27 Wilma Johnson
- 29 Elouise Raikes

## American Baptist Women's Ministries

CIRCLE	May	TIME	PROGRAM	HOSTESS
AB WOMEN	21	7pm	Brown-Davis	Brown-Davis
BROWN-DAVIS	1	1 PM	Betty Keener	Eleanor Angelilli
CWIA	1	7 PM	Karen Berry	Karen Berry
WWFG	7	1 PM	Carylon Koon	Cheryl Bonner Carolyn Young



We are now accepting applications for 2018-2019 School Year.

Applications can be picked up in the office or call 304.363.5600

Schedule  
Monday–Thursday  
8:45-11:30 Am

Classes are in session September through May, According to The Marion County Public School Schedule.

## Preschool Graduation

The year is quickly coming to an end at the Baptist Temple Preschool. Graduation and promotion day will be Tuesday, May 22 at 6pm.



# More Information Coming Soon!



With the school year being extended our VBS planning has been delayed. More information will be coming soon.

## KFC Schedule

5/2/18— Games and Craft  
5/9/18—Program  
5/16/18—Field Day/Last Day  
Enjoy you Summer!

Each week we will have worship time.  
Every other week we will have Art and games to go along with our  
Scripture.  
Pre-K through 6th Grade



## SCHEDULE OF VOLUNTEERS

May	NURSERY	CHILDREN'S CHURCH	PARLOR PRAYER
6	Kathy/Keith Gilland	Misti/Cassell Brandli	Don Stevens
13	Lisa/Shyra Freeman	Heather/John Canfield	Karen Haught
20	Tiffany/Tim Wine	Janelle/Jeremy Rowna	Barbara Davis
27	Janelle/Jeremy Rowan	Tiffany/Tim Wine	Rhonda Doolittle

## Weekly Schedule

### SUNDAY

Worship ..... 9:30 AM  
 Sunday School ..... 11 AM

### MONDAY/WEDNESDAY/FRIDAY

*SilverSneakers*..... 8:30 AM

### TUESDAY

*Almost a Song* Jam Session..... 6:30 PM

### WEDNESDAY

Kids for Christ ..... 6-7:30 PM  
 Youth Group ..... 6-7:30 PM

### THURSDAY

Adult Bible Study ..... 10 AM  
 Saints Alive Bag Lunch/Games (1st & 3rd) ... 11 AM

## Church Cleanup



Come help make our church shine!

May 12

8am-noon

Pizza and drinks will be provided

### Installation Service Set for June 24th

**An Installation Service for Pastor Allan and his family will be held Sunday afternoon, June 24th, at 2:30 PM. WVBC Executive Minister, Dr. Mike Sisson, and Northeast Area Minister, Reverend David Hulme, both plan to be at this commitment celebration.**

**The Fellowship Team will host a reception following the service. Fairmont Baptist Association pastors and their spouses will be invited to join us as we celebrate the introduction of the Copenhaver family to sister churches and the community.**

**We hope to see our Baptist Temple family and friends in attendance. Please plan to join us for this special event.**


### Business Meeting

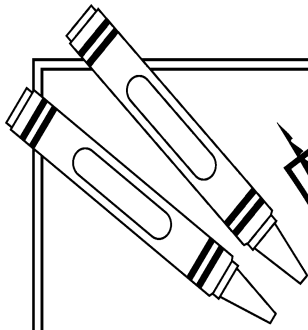
**May 20th**

**There will be a business meeting on May 20 following Sunday School to act of recommendations of the by-laws task force related only to changes in the make-up of the Board of Ministry.**

**Members who would like to review the suggested changes may request either an electronic or hard copy from the office, beginning on May 6.**



Sun	Mon	Tue	Wed	Thu	Fri	Sat
		1 Brown-Davis 1pm	2	3 	4	5
6 Welcome Pastor Allan	7 WWFG Circle 1pm	8	9 KFC Program 6pm	10	11 Carl Cain Class Lunch 1pm	12 Church Clean up Day 8am- noon
13 	14	15	16 KFC Field Day 6pm	17	18	19
20 Business Meeting noon	21	22 	23	24	25	26
27	28 	29	30	31		



# PUZZLE

## WORTHY OF RESPECT

On Mother's Day, we celebrate our moms and everything they do for us. How does God tell us to treat our moms?



Directions: Using the key below, fill in the blanks to complete Deuteronomy 5:16, NIV.

A	C	D	M*	N*	O*
E	F	G	P*	R*	S*
H	I	L	T*	U*	Y*

“ \_\_\_\_\_ your \_\_\_\_\_  
 \_\_\_\_\_ and your \_\_\_\_\_,  
 \_\_\_\_\_ the \_\_\_\_\_ your \_\_\_\_\_ has  
 \_\_\_\_\_.”  
 \_\_\_\_\_ 5:16, NIV  
 \_\_\_\_\_

Answer: "Honor your father and your mother, as the LORD your God has commanded you." Deuteronomy 5:16, NIV

## HEART LIGHT

This Mother's Day, make a bright gift for someone special in your life.



### What you need:

- Scissors
- Cardstock
- Tape
- Mason jar
- Primer paint
- Acrylic paint (3 colors)
- Paintbrushes
- Battery-operated tea light
- Paper and pen
- Hole punch
- Twine

### What you do:

1. Cut out two cardstock hearts and tape them to the jar sides, near the bottom.
2. Paint the entire jar with primer paint. Let dry.
3. Paint splotches of acrylic paint over the primer. Let dry. Remove the heart shapes.
4. Place the tea light in the jar.
5. Write a note that says, "Mom, you're the light of my life!" Punch a hole in one corner of the note, thread twine through the hole and tie the note around the jar's neck.



Due to the publication deadline of the newsletter, this report may not reflect numbers for the entire month.

## GIVING & SPENDING REPORT January-April 22, 2018

	April 22-18	Budget
Ordinary Income/Expense		
Income		
GENERAL FUND	45,557.28	55,575.00
Total Income	45,557.28	55,575.00
Expense		
PRESCHOOL	203.34	300.00
MISCELLANEOUS	209.97	314.67
EQUIPMENT MAINTENANCE	0.00	250.00
PAYROLL	19,400.89	22,806.67
YOUTH MINISTRY	200.00	250.00
FELLOWSHIP	0.00	250.00
SUNDAY SCHOOL SUPERINTENDENT	640.07	666.67
HUMAN RESOURCES	0.00	83.33
DEACON BOARD	16.00	133.33
CHILDREN'S MINISTRY	0.00	483.34
ADULT MINISTRY	0.00	83.33
FINANCIAL DEVELOPMENT	69.00	166.67
MISSION EDUCATION	250.00	333.33
WORSHIP	442.73	441.67
COMMUNICATIONS	193.87	3,250.00
OUTREACH	0.00	16.67
FACILITIES	11,823.23	14,783.33
Total Expense	33,449.10	44,486.34
Net Ordinary Income	12,108.18	11,088.66
Other Income/Expense		
Other Income		
HOLDING FOR TRANSFER	670.00	0.00
Total Other Income	670.00	0.00
Other Expense		
PASSTHROUGH ACCOUNTS	-230.92	0.00
Total Other Expense	-230.92	0.00
Net Other Income	900.92	0.00
Net Income	13,009.10	11,088.66



**THE BAPTIST TEMPLE**  
430 Morgantown Avenue  
Fairmont, WV 26554

304-363-0204  
bapttempfwv@aol.com  
baptisttemplewv.com

**MAY 2018**

*Our vision statement:*  
**love God.**  
**love others.**



**... of all that thou  
shalt give me I  
will surely give  
the tenth  
unto thee.  
Genesis 28:22**



**The Baptist Temple**  
Fairmont, WV

PERIODICALS  
Postage Paid in  
Fairmont, WV  
26554

**WHAT'S INSIDE**

A message from Pastor Allan	1
Mother's Day	2
Birthdays; ABW Schedule;	3
Preschool News	4
Children's Ministry News	5
Schedule; Announcement	6
May Calendar	7
Fun Page	8
Giving & Spending Report	9